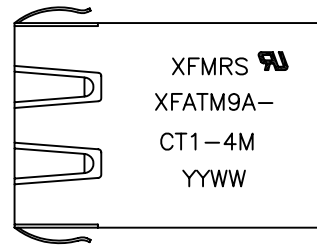
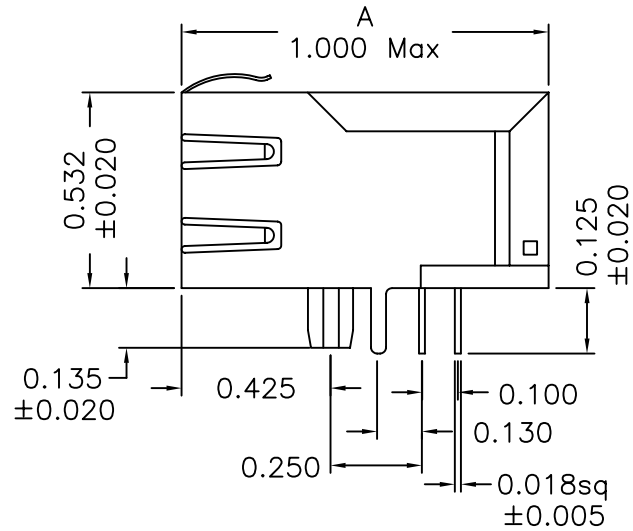
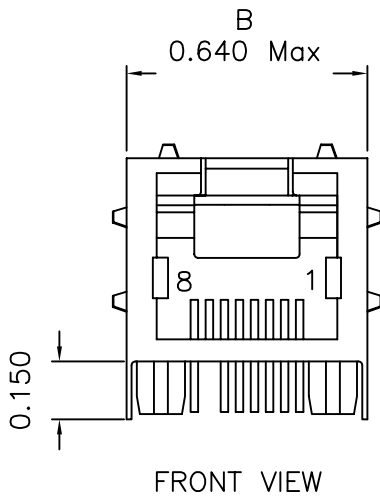
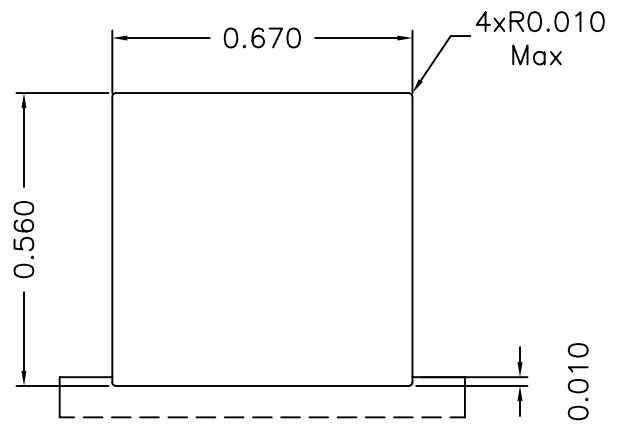
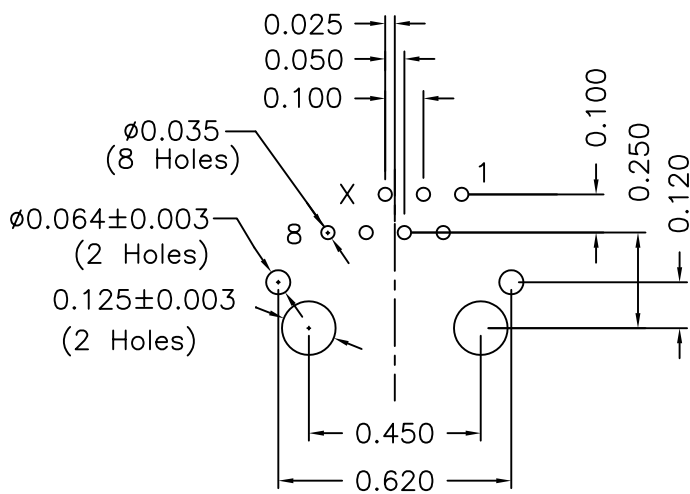


Mechanical Dimensions:



*Remove Pin#7

Mounting Pattern:



RECOMMENDED PANEL CUTOUT

DOC REV: A/1

XFMRs Inc.
www.XFMRS.com

Title: Mechanical Dimensions
For TAB UB RJ45 COMBO

UNLESS OTHERWISE SPECIFIED
TOLERANCES:
.xxx ±0.010
Dimensions in Inch

P/N: XFATM9A-CT1-4M

REV. A

DWN.

Juan Mao

Jul-18-11

CHK.

YK Liao

Jul-18-11

APP.

BW

Jul-18-11

PROPRIETARY:

Document is the property of XFMRs Group & is not allowed to be duplicated without authorization.

SHEET 2 OF 2